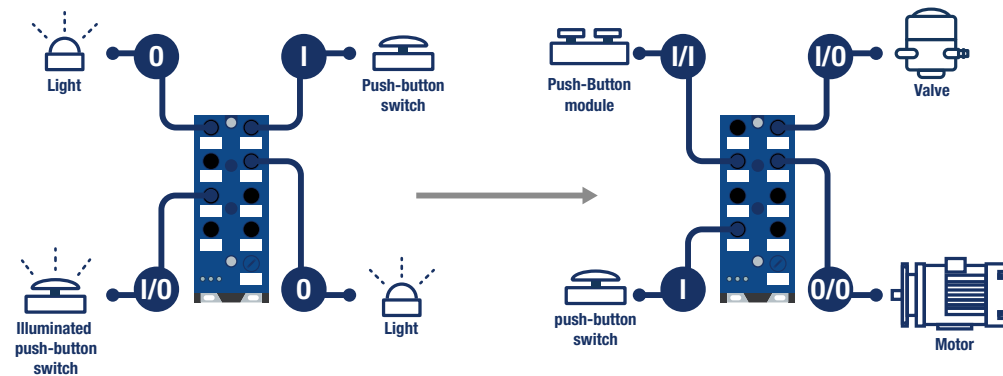
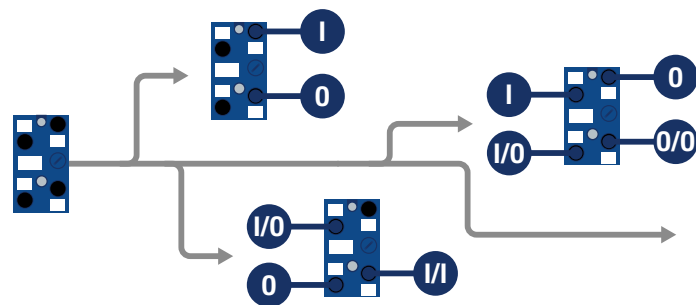


Self-configuring



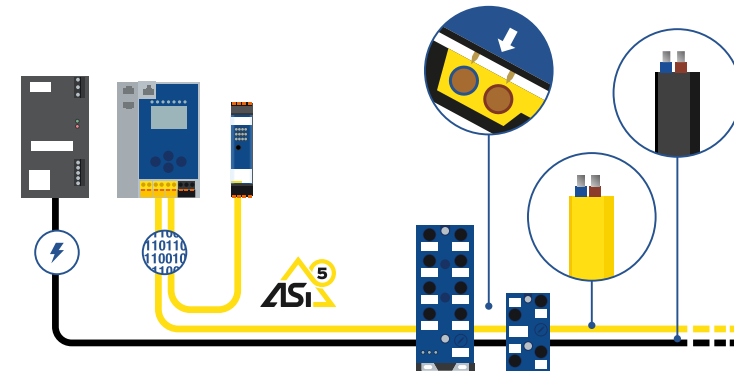
- ▶ All digital signals can be used as inputs or outputs
- ▶ No pre-configuration required
- ▶ Change signal type without additional software

Flexible in use



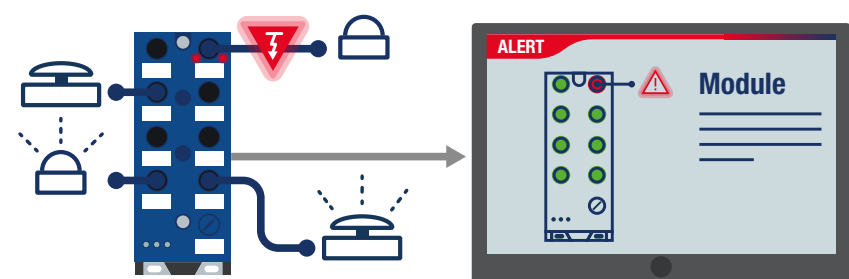
- ▶ Many different applications can be achieved with the same module
- ▶ Application range from motor control and signaling through to operating panels
- ▶ Simplified spare parts management through one item for many applications

Inexpensive in hardware and wiring



- ▶ Modules are less expensive than comparable I/O solutions based on Ethernet or IO-Link
- ▶ **Up to 70 % lower wiring costs compared to round cable solutions**
- ▶ Reduced wiring requirements thanks to piercing technology and free choice of topology (e.g. ring, star, tree) for energy and communication

Channel-specific diagnostics



- ▶ An output short-circuit or overload can be detected at each connection
- ▶ State of the outputs can be read back individually
- ▶ Possibility of active assistance for troubleshooting purposes, e.g. via HMI

BWU4230

BWU4231

BWU3884

BWU4232



The product family at a glance

- ▶ 16 or 8 digital inputs/outputs with ASi-5 in 1.27 ms
- ▶ Self-configuring
- ▶ Detailed channel-specific diagnostics
- ▶ State of the outputs can be read back individually
- ▶ Cost-effective digital outputs
- ▶ Flexible fields of application
- ▶ Simplified spare parts management

The ASi-5 self-configuring I/O module

- ▶ IP67, M12, 16I/O BWU4230
- ▶ IP67, M12, 16I/O BWU4231
- ▶ IP67, M12, 8I/O BWU4232
- ▶ IP20, 16I/O BWU3884 (Available end of Q4/2020)